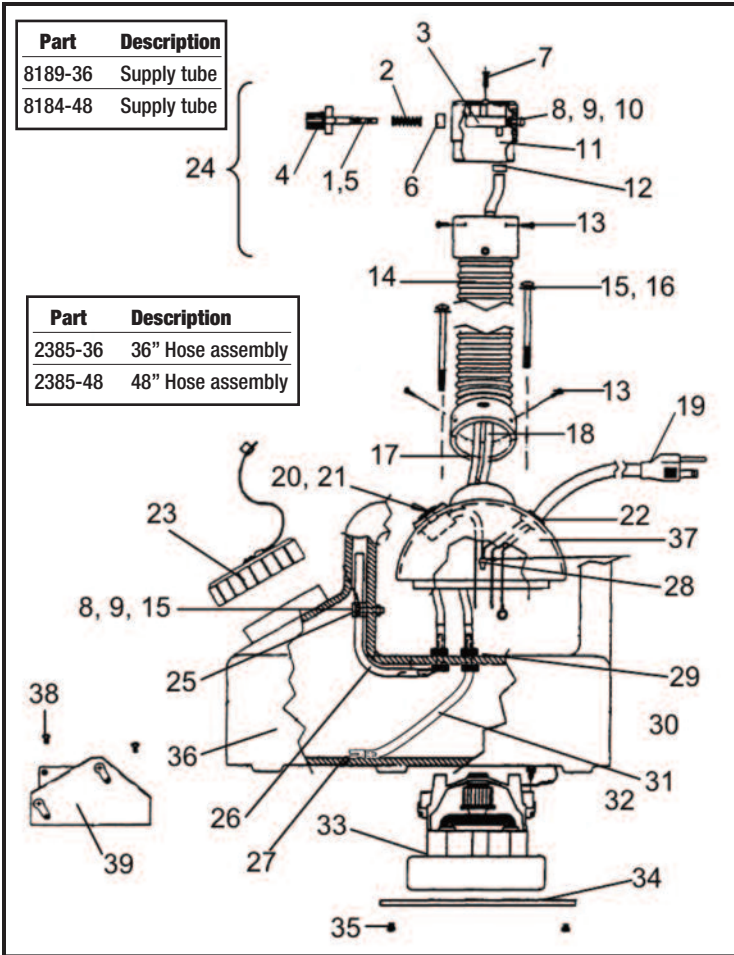


FLEX-A-LITE 2600



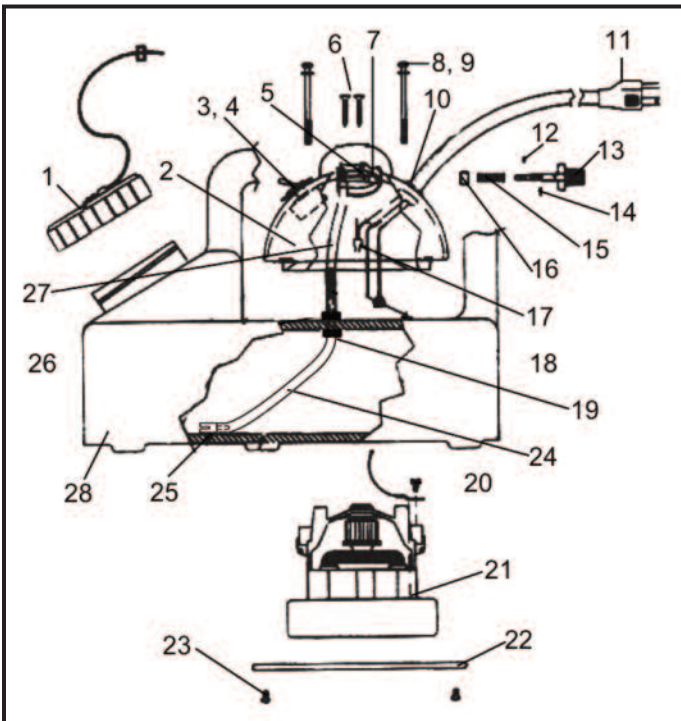
Part	Description
8189-36	Supply tube
8184-48	Supply tube

Part	Description
2385-36	36" Hose assembly
2385-48	48" Hose assembly

#	Part #	Description	#	Part #	Description
1	2332	Clip	20	2340	220v switch
2	2334	Spring	21	990	Switch boot
3	2346	Venturi	22	2315	Strain relief
4	2331	Knob asbly	23	1103	Cap and O-ring
5	2330	O-Ring	24	2384	Nozzle asbly
6	2333	Sleeve	25	2358	Tube retainer
7	2329	Screw	26	Ref.	Item #17
8	2352	Screw	27	2312	Strainer
9	2357	Hex nut	28	2316	Wire connector
10	2359	Spacer	29	8156	Grommet
11	2353	Nozzle	30	Open	Open
12	1433	Spring clamp	31	Ref.	Item #18
13	2354	Screw	32	Open	Open
14	2385-18	Hose asbly	33	2323	Motor 110V
15	8123	Spacer	33	2324	Motor 220V
16	2308	Screw	34	2305	Motor guard
17	8182	Pressure tube	35	2306	Screw
18	8188-18	Supply tube	36	2605	Tank
19	2314	110v cord	37	2608	Housing
19	2341	220v cord	38	1145	Screw
20	2311	Switch	39	2355	Mount plate



135 REGION SOUTH DRIVE • JACKSON, GA 30233
 Toll Free 800-544-8811 • Phone 678-688-5601
 www.bgequip.com • Fax 678-688-5633



MY-TI-LITE 2300, ULTRA-LITE 2400

#	Part	Description	#	Part #	Description
1	1103	Cap and O-Ring	13	2331	Valve rod, knob (2400)
2	2306	Housing (Model 2300)	14	2332	Clip (Model 2400)
2	2406	Housing (Model 2400)	15	2334	Spring (Model 2400)
3	990	Switch boot	16	2333	Sleeve (Model 2400)
4	2311	Switch 110V	17	2316	Wire connector
4	2340	Switch 220V	18	Open	Open
5	1433	Spring Clamp	19	8156	Grommet
6	2329	Screw	20	Open	Open
7	2346	Venturi (Model 2400)	21	2323	Motor 110V
7	8186	Venturi (Model 2300)	21	2324	Motor 220V
8	8123	Spacer	22	2305	Motor guard
9	2308	Screw	23	2306	Screw
10	2315	Strain relief	24	8194	Supply tube
11	2314	Electric cord 110V	25	2312	Strainer
11	2341	Electric cord 220V	26	Open	Open
12	2330	O-ring (Model 2400)	27	Ref.	Item #24
12	2337	Plug (Model 2300)	28	2404	Tank