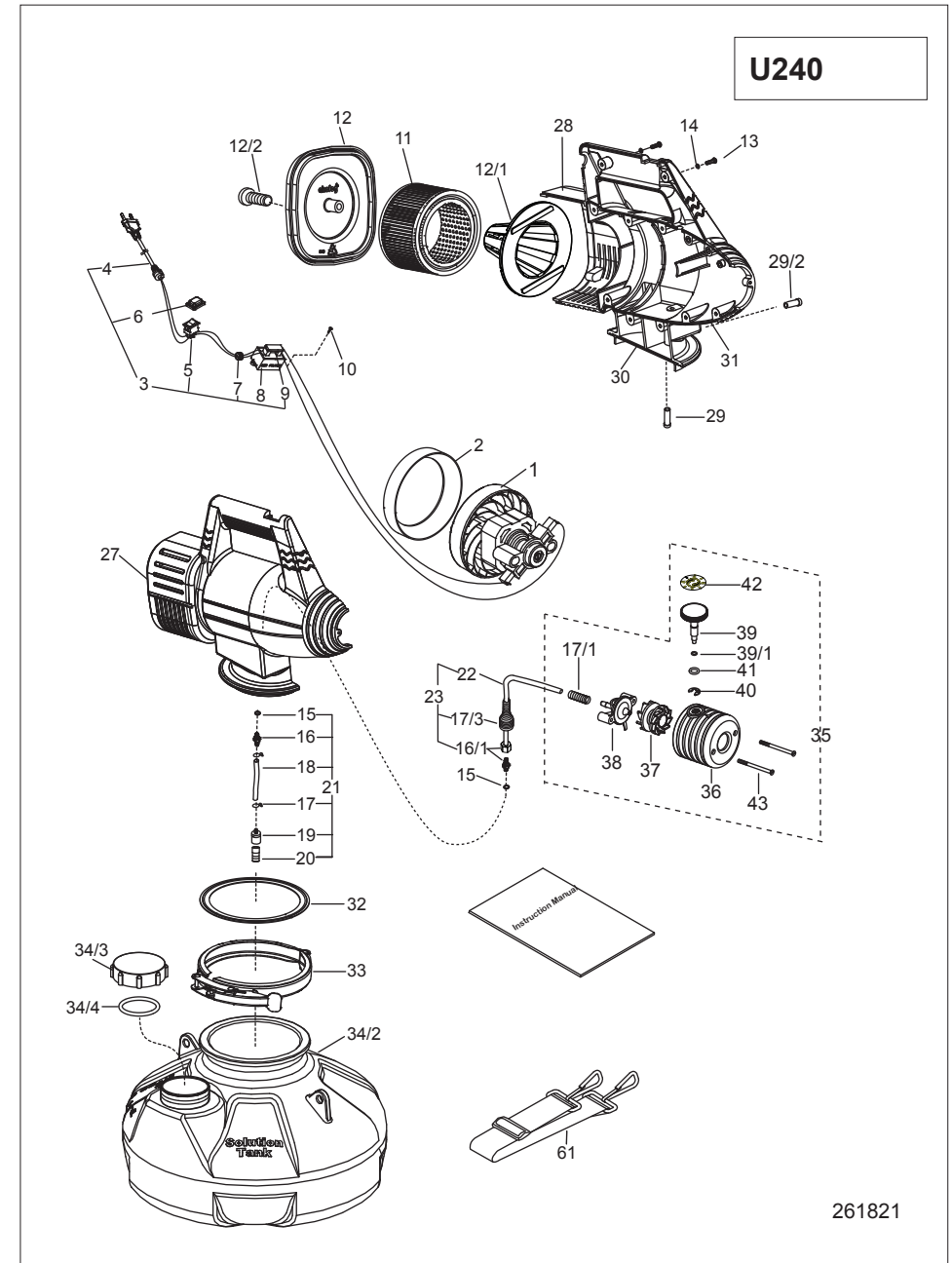


Spare Part List of U240

Pos.	Part No.	Description	Pos.	Part No.	Description
1	260-001-240	Motor 240 VAC/800W	23	260-023-000	Feed Tube Assembly
1	260-001-120	Motor 120 VAC/700W	27	240-027-000	Motor Body "R"
2	260-002-000	Motor Sealing Ring	29	260-029-000	PP Filter
3	260-003-240	Power Supply Cpl. 240V	29/2	240-029-000	PP Filter
3	260-003-120	Power Supply Cpl. 120V	30	260-030-000	Seal Viton
4	260-004-240	Cable 5m 240V	31	260-031-000	Seal 50cm
4	260-004-120	Cable 5m 120V	32	260-032-000	Sealing Ring
5	260-005-000	ON-OFF Switch	33	260-033-000	Cloure Ring
6	260-006-000	Switch Protector	34/2	240-034-000	Solution Tank 5L Round
7	260-007-000	Grommet	34/3	240-034-010	Cap
8	260-008-000	EMI Filter	34/4	240-034-020	Gasket
9	260-009-120	Fuse 10A	35	240-035-000	Nozzle Assembly
10	260-010-000	Tapping Screw	36	240-036-000	Nozzle Holder
11	260-011-000	Air Filter	37	240-037-000	Atomizer
12	240-012-000	Air Filter Cover	38	240-038-000	Nozzle
12/1	240-012-010	Cover Holder	39	240-039-000	Flow Regulator Needle
12/2	260-012-020	Screw M6X12	39/1	240-039-010	O-Ring
13	505-009-142	Screw M3X12	40	240-040-000	E-Ring
14	260-014-000	Gasket	41	240-041-000	O-Ring
15	935-056-010	Gasket	42	240-042-000	Label (+/-)
16	260-016-000	Tube Adapter M5	43	240-043-000	Countersunk Screw M3X45
16/1	260-016-010	Tube Adapter M5/M8	61	260-061-000	Carrying Strap
17	260-017-000	Wire Clip		260-064-000	Sticker Set (www...& Airofog...)
17/1	240-017-010	Protective Spring		240-046-000	Label (U240)
17/3	260-017-030	Protective Spring		240-047-000	Label (U110)
18	260-018-000	Solution Tube 16cm		260-067-000	Sticker Set
19	240-019-000	Solution Filter Adapter			(Periodically...&This...&Only...)
20	240-020-000	Solution Filter		240-068-000	Service Kit (15x2,18,20,22,29
21	240-021-000	Solution Tube Assembly			29/2,30,31,32,34/4,39/1,40,41)
22	260-022-000	Feed Tube 20cm		240-260-000	Instruction Manual

Explosive Drawing of U240



261821