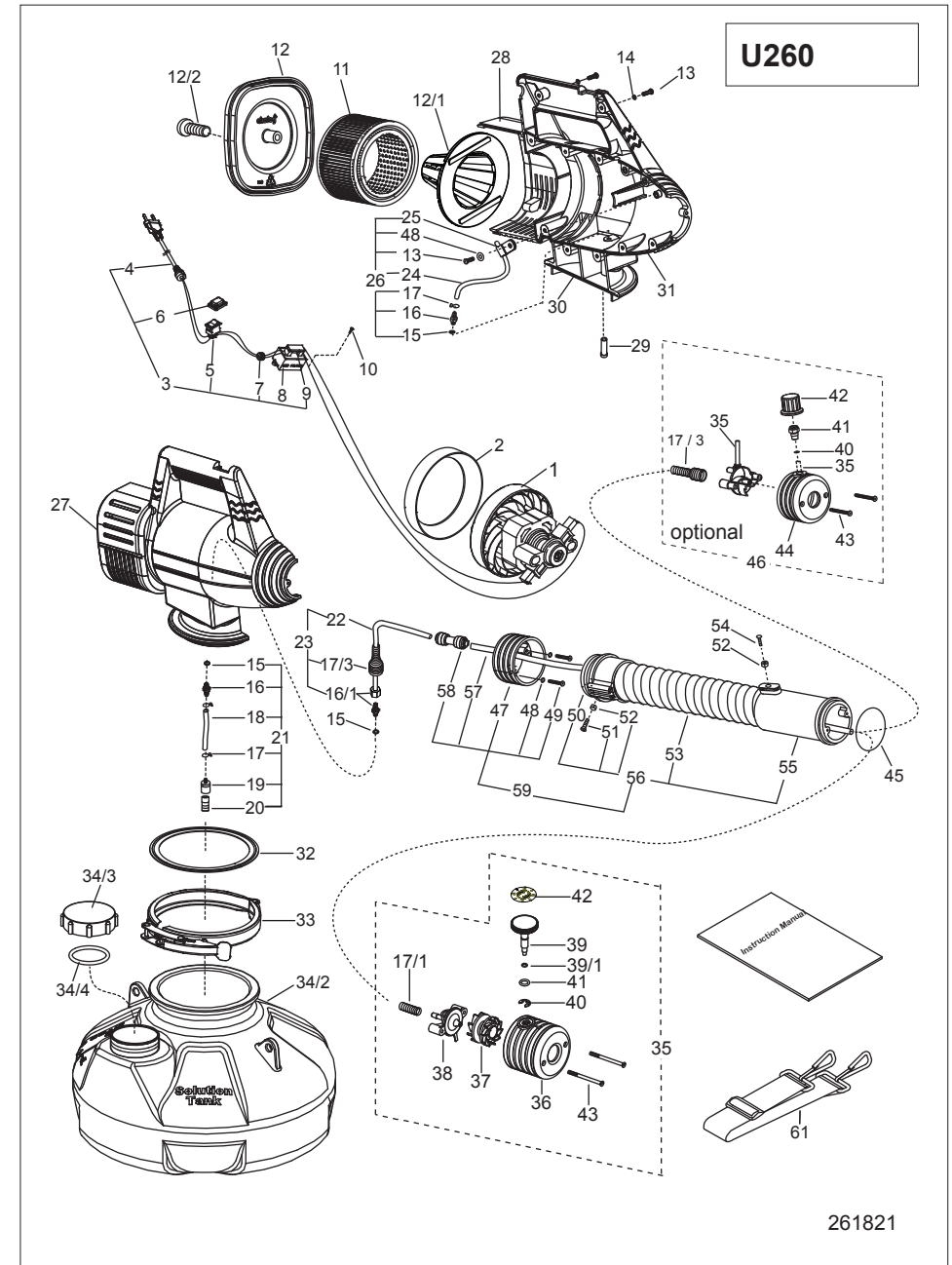


## Spare Part List of U260

Pos.	Part No.	Description	Pos.	Part No.	Description
1	260-001-240	Motor 240 VAC/800W	36	240-036-010	Nozzle Holder
1	260-001-120	Motor 120 VAC/700W	37	240-037-000	Atomizer
2	260-002-000	Motor Sealing Ring	38	240-038-000	Nozzle
3	260-003-240	Power Supply Cpl. 240V	39	240-039-000	Flow Regulator Needle
3	260-003-120	Power Supply Cpl. 120V	39/1	240-039-010	O-Ring
4	260-004-240	Cable 5m 240V	40	240-040-000	E-Ring
4	260-004-120	Cable 5m 120V	41	240-041-000	O-Ring
5	260-005-000	ON-OFF Switch	42	240-042-000	Sticker (+/-)
6	260-006-000	Switch Protector	43	240-043-000	Countersunk Screw M3X45
7	260-007-000	Grommet	45	260-045-000	O-ring
8	260-008-000	EMI Filter	47	260-047-000	Extension Hose Adapter
9	260-009-120	Fuse 10A	48	260-048-000	Washer
10	260-010-000	Tapping Screw	49	260-049-000	Screw M3X22
11	260-011-000	Air Filter	50	260-050-000	Hose Adapter
12	260-012-000	Air Filter Cover	51	260-051-000	Countersunk Screw M3X10
12/1	260-012-010	Cover Holder	52	505-009-141	Nut M3
12/2	260-012-020	Screw M6X12	53	260-053-050	Extension Hose 0.5m
13	505-009-142	Screw M3X12	53	260-053-100	Extension Hose 1m
14	260-014-000	Gasket	54	260-054-000	Countersunk Screw M3X20
15	935-056-010	Gasket	55	260-055-000	Handle
16	260-016-000	Tube Adapter M5	56	260-056-050	Extension Hose 0.5m Assembly
16/1	260-016-010	Tube Adapter M5/M8	56	260-056-100	Extension Hose 1m Assembly
17	260-017-000	Wire Clip	57	260-057-050	Extension Tube 64cm
17/1	240-017-010	Protective Spring	57	260-057-100	Extension Tube 1.2m
17/3	260-017-030	Protective Spring	58	260-058-010	Quick Connector
18	260-018-000	Solution Tube 16cm	59	260-059-050	Extension Hose 0.5m Assembly w/ Adapter
19	240-019-000	Solution Filter Adapter			
20	240-020-000	Solution Filter	61	260-061-000	Carrying Strap
21	240-021-000	Solution Tube Assembly		260-064-000	Sticker Set (www... &Airofog...)
22	260-022-000	Feed Tube 20cm		260-065-000	Label (U260)
23	260-023-000	Feed Tube Assembly		260-066-000	Label (U120)
24	260-024-000	Air Tube 18cm		260-067-000	Sticker Set (Periodically...&This...&Only...)
25	260-025-000	Tube Holder		260-068-000	Service Kit (15x3,20,29,30,31,32,34/4,39/1,40,41,1.2m tube)
26	260-026-000	Air Tube Assembly			
27	260-027-000	Motor Body "R"		260-260-000	Instruction Manual
28	260-028-000	Motor Body "L"			
29	260-029-000	PP Filter			
30	260-030-000	Seal Viton	17/3	260-017-030	Protective Spring
31	260-031-000	Seal 50cm	35	260-035-000	Nozzle Assembly
32	260-032-000	Sealing Ring	40	260-040-000	O-Ring
33	260-033-000	Cloure Ring	41	260-041-000	Nut
34/2	240-034-000	Solution Tank 5L Round	42	260-042-000	Knob
34/3	240-034-010	Cap	43	260-043-000	Countersunk Screw M3X40
34/4	240-034-020	Gasket	44	260-044-000	Nozzle Holder
35	240-035-010	Nozzle Assembly	46	260-046-000	Nozzle Cpl.

## Explosive Drawing of U260



261821